

High Quality SP12CC/SP15CC Subwoofer Speaker

High Quality SP12CC/SP15CC Subwoofer Speaker

Applications:

SP12CC/SP15CC Subwoofer series is a professional power handling and high efficiency line for car audio competition

Features



- 88.5dB SPL 1W/1M
- 2.5" AL Wire (180°C)
- 800W RMS Power
- PC+Nomex Spider 2 Layer
- 2+2 Ohms Impedance
- 108 Oz Y30 Ferrite Magnet

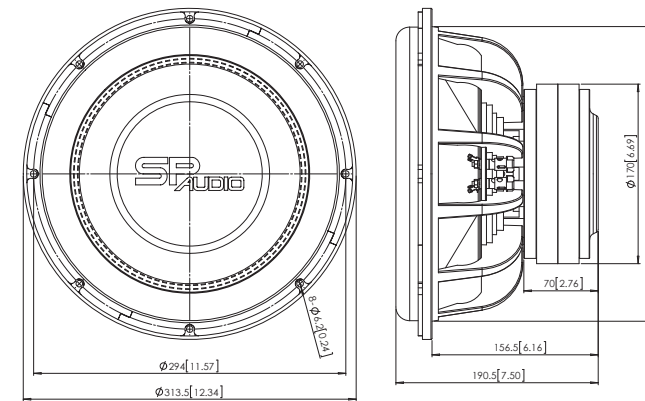
- 89dB SPL 1W/1M
- 3" AL Wire(180°C)
- 1000W RMS Power
- PC+Nomex Spider 2 Layer
- 2+2 Ohms Impedance
- 134 Oz Y30 Ferrite Magnet

General Specification

	SP12CC	SP15CC
Nominal Diameter	300mm (12inch)	380mm (15inch)
Rated Impedance	4 Ohm	4 Ohm
Minimum Impedance	2+2 Ohm	2+2 Ohm
Rated Power (RMS)	800W	1000W
Peak Power	1600W	2000W
Sensitivity	88.5 dB	89dB
Frequency Range (-10dB)	25-300Hz	25-300Hz
VC Diameter (mm/in)	65.5mm/2.5"	76.2mm/3"
Winding Material	180°C Aluminum Wire	
Suspension	Large "R" Form	
Cone	Compress Paper + FiberGlass + Black Painting	

SP12CC

Mounting Information

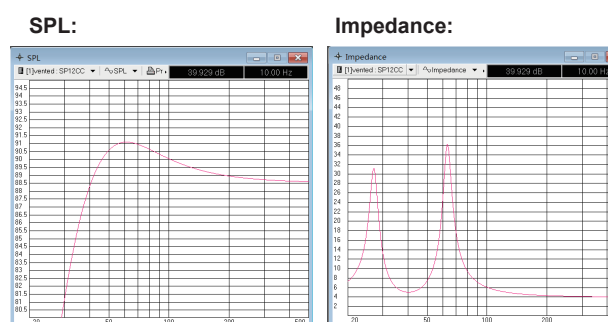
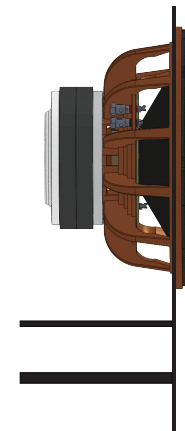


Parameters:

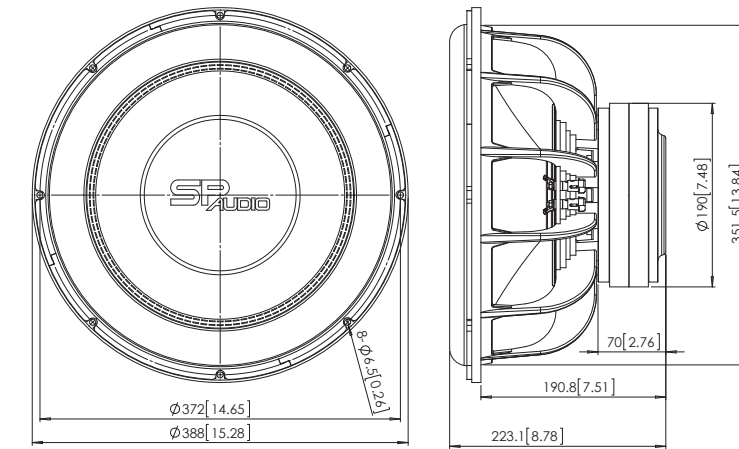
Qts:	0.569	Qms:	10.200
Vas:	35.54 L	Qes:	0.602
Fs:	42.50 Hz	SPL:	88.5 dB
Re:	2+2 Ohm	Pe:	800 W
Mms:	182.043g	BL:	18.01 TM
Xmax:	6.5 mm	Dd:	25.70 cm
Cms:	76.34um/N	Sd:	572.6 cm ²

Vent BOX

Volume:50L
 Tuning freq:40Hz
 Vent diameter:ø82mm
 Shape: Circle
 End correction:Two flanged end
 Vent length:14cm
 Cross area:52.8 cm²



SP15CC



Qts:	0.633	Qms:	13.763
Vas:	69.93 L	Qes:	0.663
Fs:	37.00 Hz	SPL:	89 dB
Re:	2+2 Ohm	Pe:	1000 W
Mms:	247.781g	BL:	18.55 TM
Xmax:	5.0 mm	Dd:	32.00 cm
Cms:	76.13um/N	Sd:	804.3 cm ²

Volume:80L
 Tuning freq:35Hz
 Vent diameter: ø102mm
 Shape:Circle
 End correction:Two flanged end
 Vent length:17.5cm
 Cross area:81.7 cm²

