



SP15X ROCKET LINE Subwoofer Speaker

SP15X ROCKET LINE Subwoofer Speaker

Applications:

SP15X ROCKET LINE Subwoofer series is a professional Big power handling and high efficiency line for car audio competition

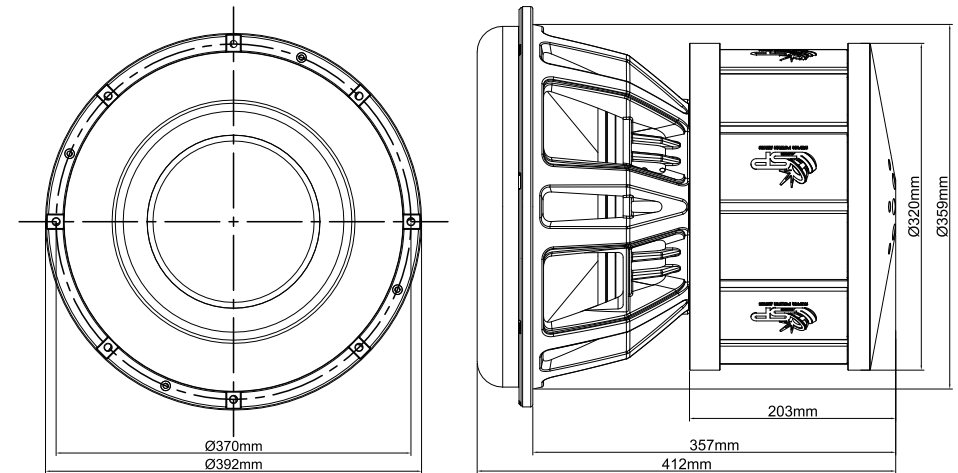
Mounting Information

SP15X ROCKET LINE



Features

- 86 dB SPL 1W/1M
- 4"AL Wire (280 °C)
- 7000 W RMS 24 Hours Competitions
- Nomex Spider
- 1+1+1+1 Ohms Impedance
- 203.6x5 Oz Y35 Ferrite Magnet



General Specification

- Nominal Diameter
- Rated Impedance
- Minimum Impedance
- Rated Power(RMS)
- Peak Power
- Sensitivity
- Frequency Range(-10dB)
- VC Diameter(in)
- Winding Material
- Suspension
- Cone

SP15X ROCKET LINE

- 390 mm(15inch)
- 4 Ohm
- 1+1+1+1 Ohm
- 7000 W RMS 24 Hours Competitions
- 24000 W Max
- 86 dB
- 25-300 Hz
- 4 Inch
- 280 °C Aluminum Wire
- Large "R" Form
- Compress Paper + FiberGlass

Parameters:

Parameter Model	Qts	Vas	Fo	Re	Mms	Xmax	Cms	Qms	Qes	SPL	Pe	BL	Sd
SP15X ROCKET LINE	0.27	21.8 L	33 Hz	4 Ohm	876 g	25 mm	0.03 mm/N	2.70	0.30	86.0 dB	12000 W	48.8 TM	754.77 cm ²

Vent BOX

- Volume:140 L
- Tuning freq:28 Hz
- Vent diameter:ø100x100 mm
- Shape: Rectangle
- End correction:Two flanged end
- Vent length:44 cm



Impedance:

