



High Quality SP-10CW/SP-12CW Subwoofer Speaker

High Quality SP-10CW/SP-12CW Subwoofer Speaker

Applications: SP-10CW/SP-12CW

SP-10CW/SP-12CW Subwoofer series is a professional power handling and high efficiency line for car audio competition

Features SP-10CW



- 87dB SPL 1W/1M
- 2"CU Wire (200°C)
- 200W RMS Power
- PC+Conex Spider
- 2+2 Ohms Impedance
- 45 Oz Y30 Ferrite Magnet

SP-12CW



- 88dB SPL 1W/1M
- 2"CU Wire (200°C)
- 300W RMS Power
- PC+Conex Spider
- 2+2 Ohms Impedance
- 56 Oz Y30 Ferrite Magnet

General Specification

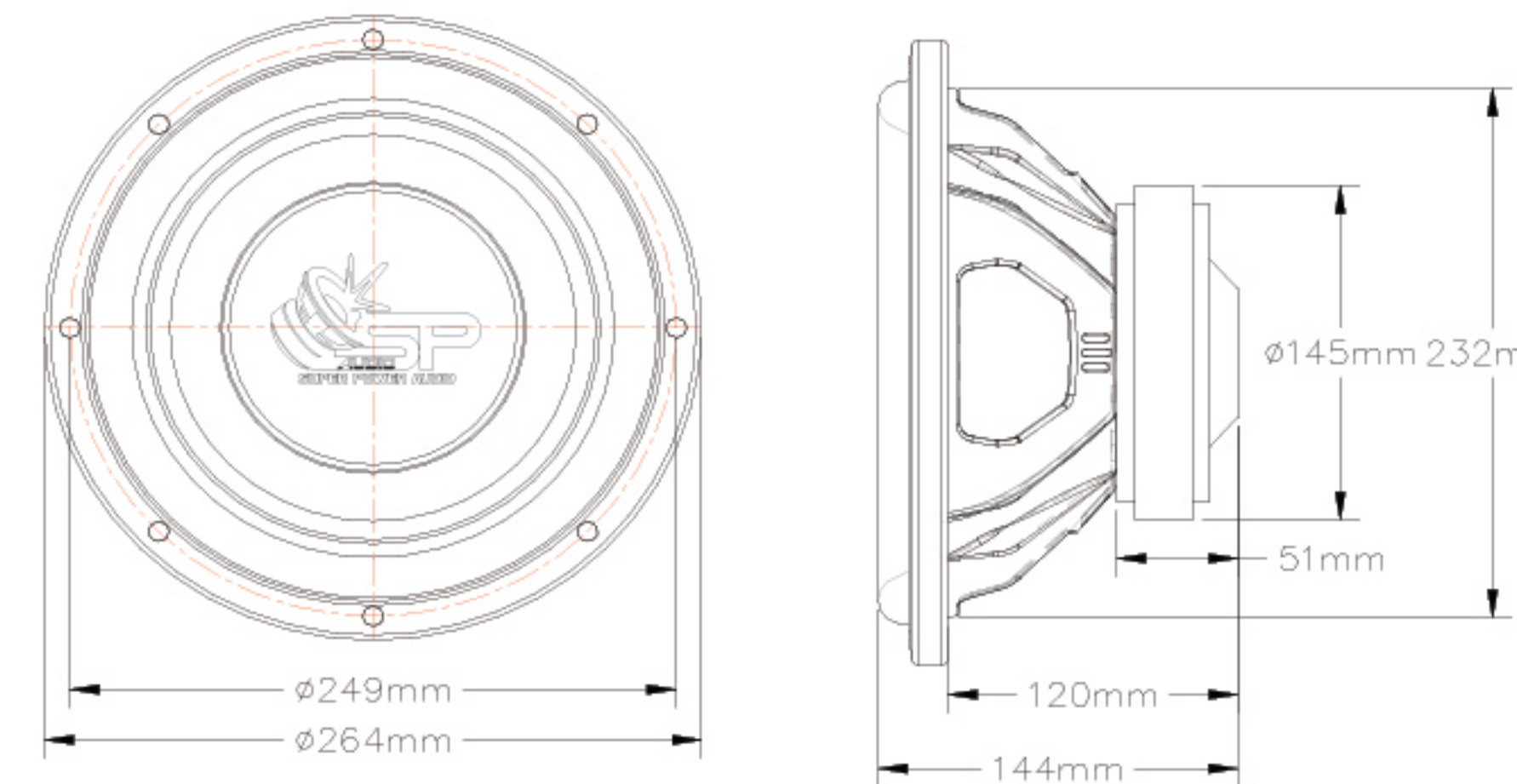
SP-10CW

SP-12CW

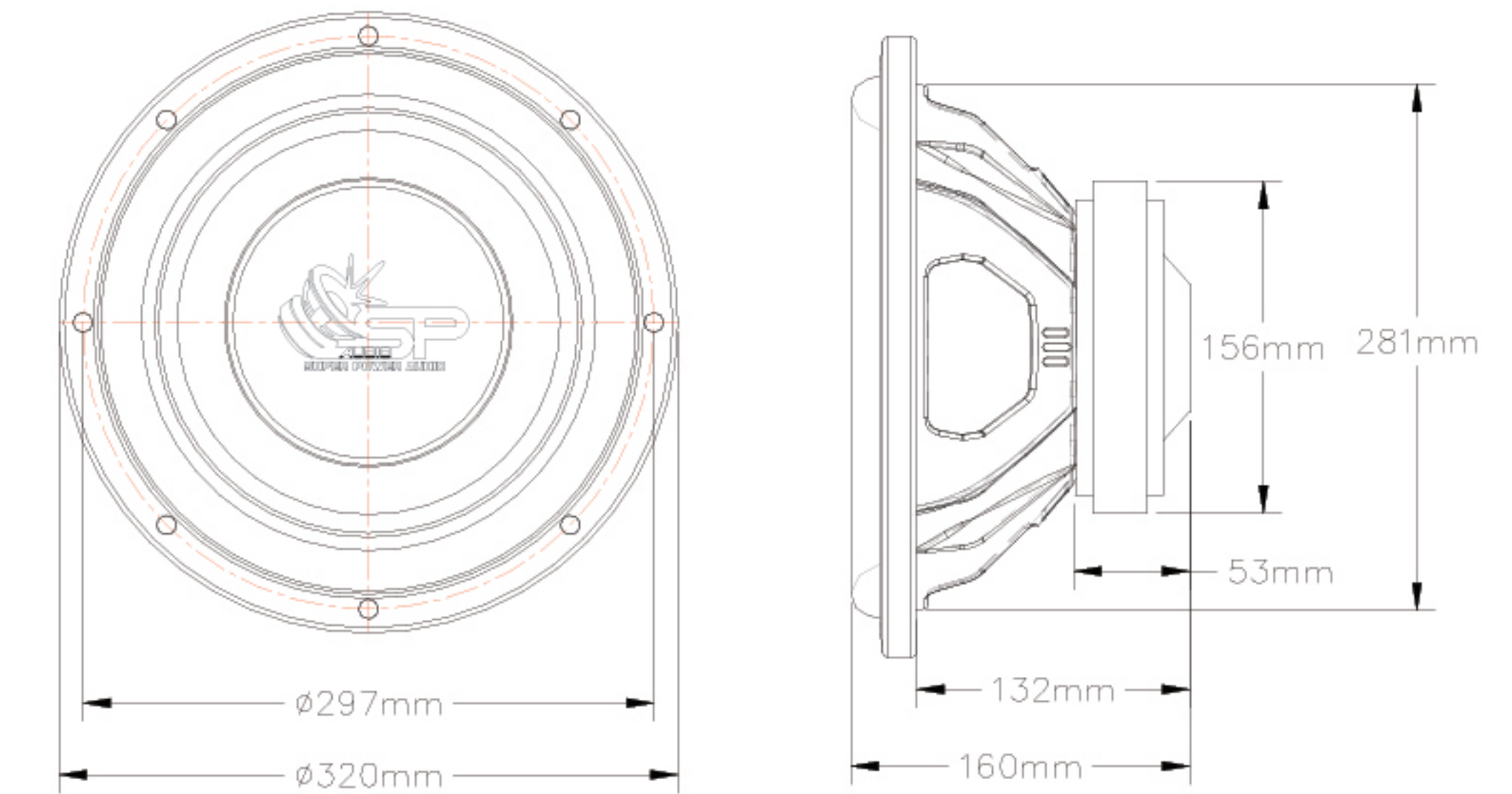
Mominal Diameter	261mm (10 inch)	314mm (12 inch)
Rated Impedance	4 Ohm	4 Ohm
Minimum Impedance	2+2 Ohm	2+2 Ohm
Rated Power	200 W	300 W
Peak Power	600 W	900 W
Sencitivity	87 dB	88 dB
Frequency Range (-10db)	32~2KHZ	30~1KHZ
Vc Diameter (mm/in)	50.5mm/2"	50mm/2"
Winding Mateiral	200°C Cu wire	
Suspension	Large "R" Form	
Cone	Black Non Press Paper	

Mounting Information

SP-10CW



SP-12CW



Qts :	0.709	Qms :	8.01
Vas :	20.3L	Qes :	0.78
Fs :	37.4Hz	SPL :	87db
Re :	2+2ohm	Pe :	200W
Mms :	138.3g	BL :	12TM
Xmax :	9.5mm	Dd :	20.5cm
Cms :	131.27um/N	Sd :	330.06cm ²

Qts :	0.7	Qms :	8
Vas :	45.4L	Qes :	0.78
Fs :	36Hz	SPL :	88db
Re :	2+2ohm	Pe :	300W
Mms :	161g	BL :	12.7TM
Xmax :	11mm	Dd :	25.6cm
Cms :	120um/N	Sd :	514.72cm ²

Vent BOX

Volume: 23L
 Tuning freq: 37.4Hz
 Vent diameter: φ 76mm
 shape: Circle
 End correction: one flanged end
 Vent length: 16CM



Volume: 50L
 Tuning freq: 36Hz
 Vent diameter: φ 88mm
 shape: Circle
 End correction: one flanged end
 Vent length: 22CM

