

# HG 20 SG

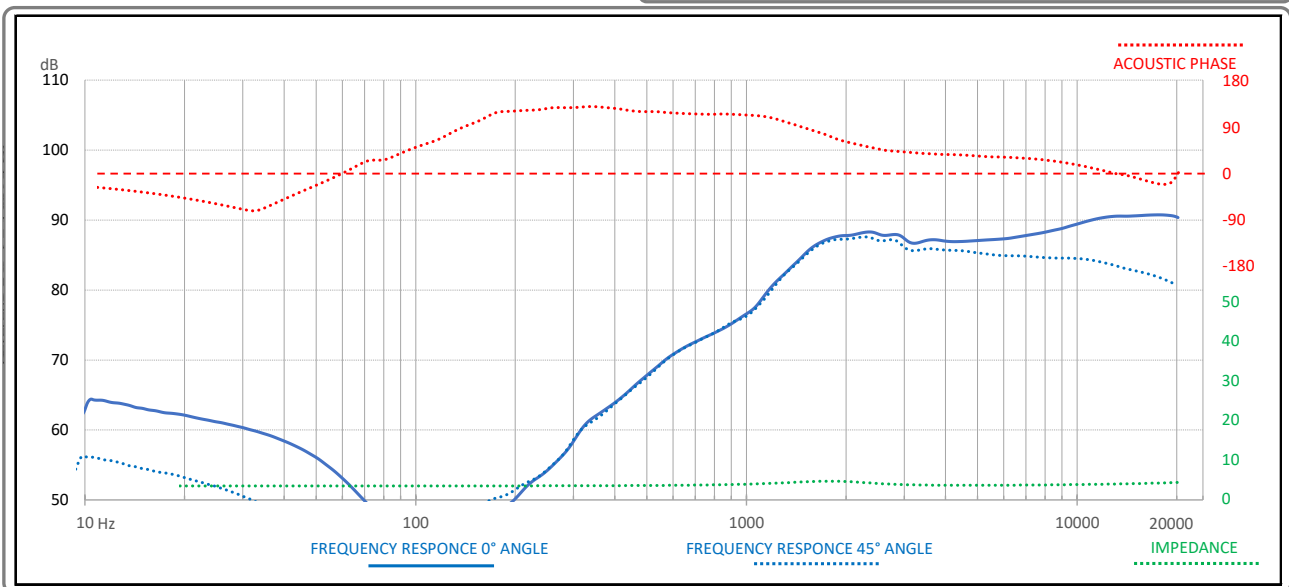
**GLADEN**<sup>®</sup>  
GERMAN TECHNOLOGY

speaker data sheet

## Specifications

### Tweeter

Impedance	4,0	Ω
Power handling	30/15	Watt/Wrms
Minimum amplifier power	5	Wrms
Recommended frequency area	4000-	Hz
SPL (2,83V/1m)	91,0	dB

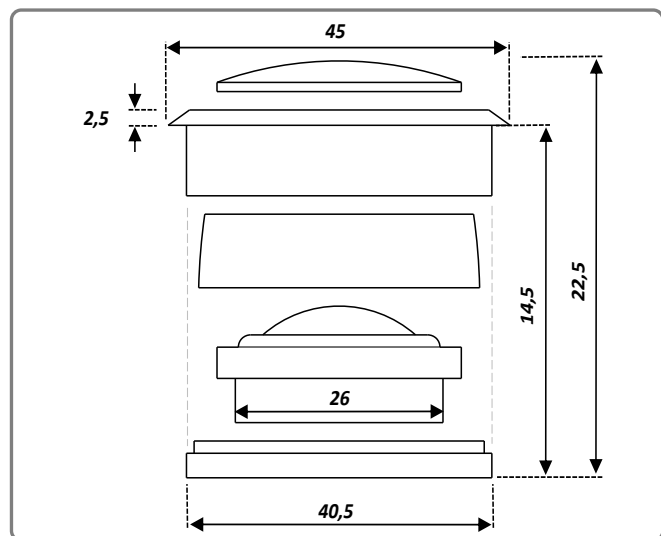


## Parameters

DC resistance	Rdc	3,4	Ω
Resonance frequency	fs	1700	Hz

Sensitivity (1W/1m)	SPL	87,3	dB
Voice coil diameter	VCD	20	mm
Weight net		0,05	kg

## Dimensions



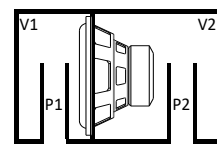
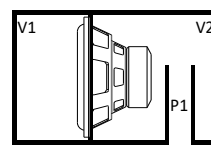
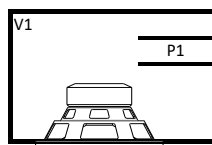
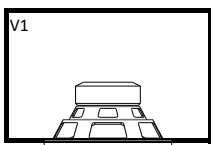
## Housing suggestions

sealed

vented

bandpass (4th)

bandpass (6th)



Volume (V) in liters, dimensions port (P) in mm (diameter (D) and length (L))

All data without guarantee. Data can vary. Check data before assembly and operation.

GLADEN EUROPE GmbH - Bertha-Benz-Strasse 9 - 72141 Walldorfhäslach - CEO Alexandra Gladen - info@gladen.com