

# HG 80RS

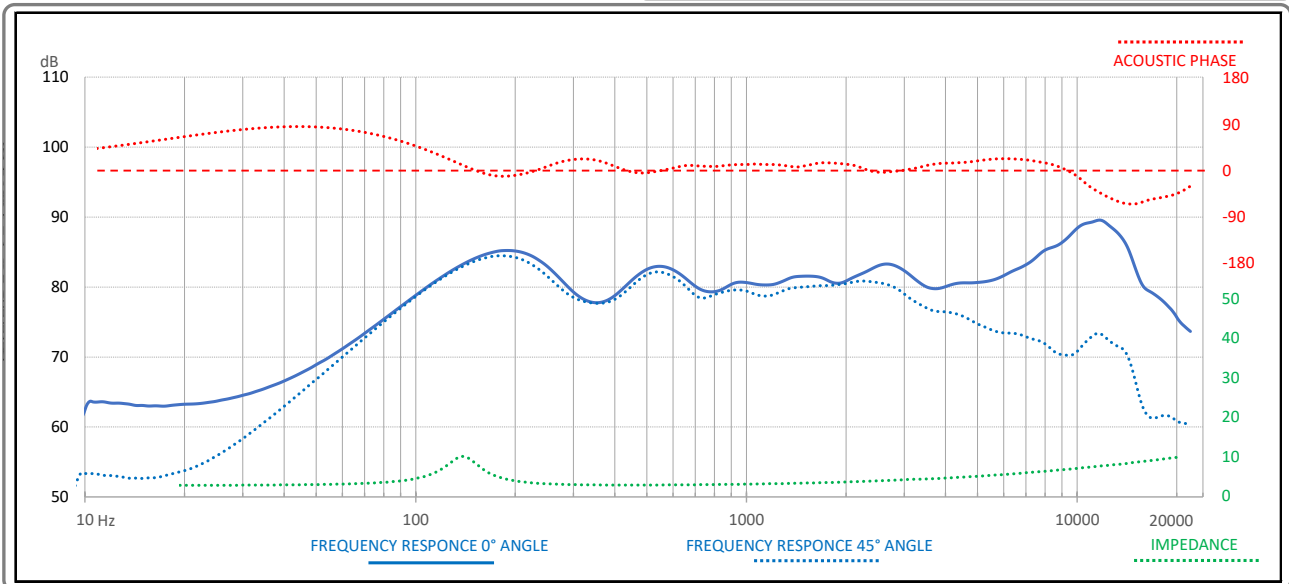
Loudspeaker data sheet

## Specifications

### Midrange

Impedance	3,0	$\Omega$
Power handling	60/40	Watt/Wrms
Minimum amplifier power	10	Wrms
Recommended frequency area	250-6000	Hz
SPL (2,83V/1m)	87,9	dB

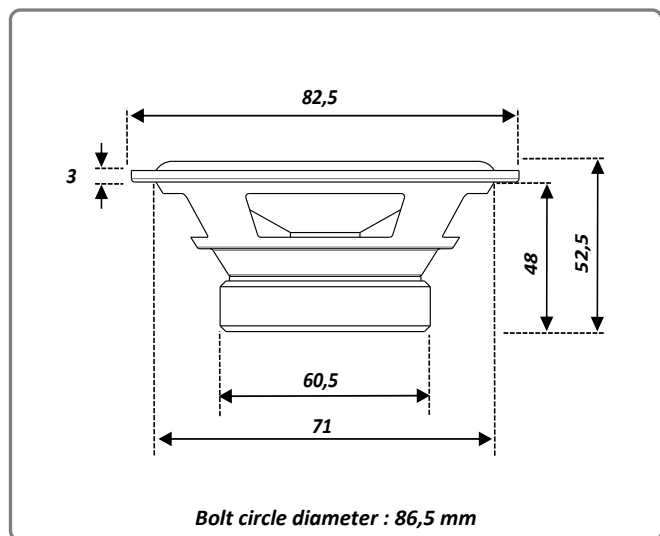
no picture available yet



## Parameters

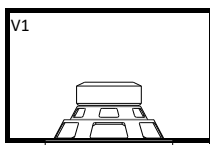
DC resistance	Rdc	2,5	$\Omega$
Resonance frequency	fs	141	Hz
Mechanical quality	Qms	3,92	
Electrical quality	Qes	1,28	
Total quality	Qts	0,97	
Equivalent volume	VAS	1	Liter
Dynamically moving mass	Mms	3,3	g
Effective membrane area	Sd	32,2	cm <sup>2</sup>
Mechanical resistance	Rms	0,74	Kg/s
Mechanical compliance	Cms	0,387	mm/N
Electromagnetic force	BL	2,4	Tm
Sensitivity (1W/1m)	SPL	82,9	dB
Voice coil diameter	VCD	25	mm
Maximum linear excursion	Xmax +/-	1,25	mm
Weight net		0,4	kg

## Dimensions

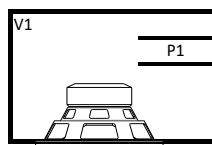


## Housing suggestions

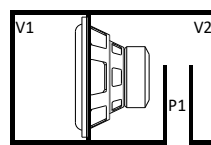
sealed



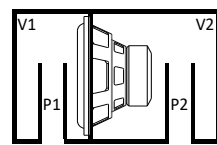
vented



bandpass (4th)



bandpass (6th)



Volume (V) in liters, dimensions port (P) in mm (diameter (D) and length (L))

All data without guarantee. Data can vary. Check data before assembly and operation.