

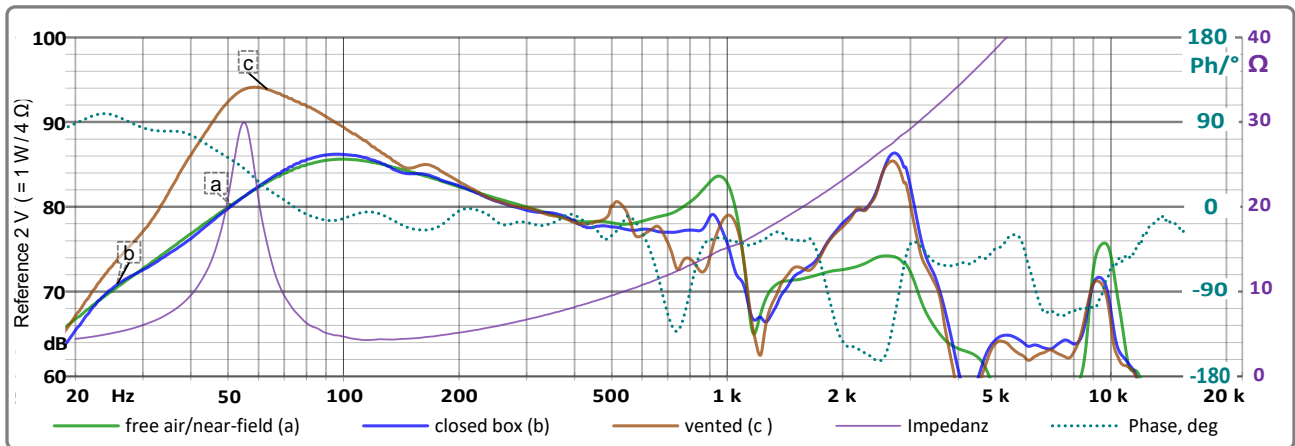
RSX-6.5

GLADEN
GERMAN TECHNOLOGY

Specifications

Subwoofer

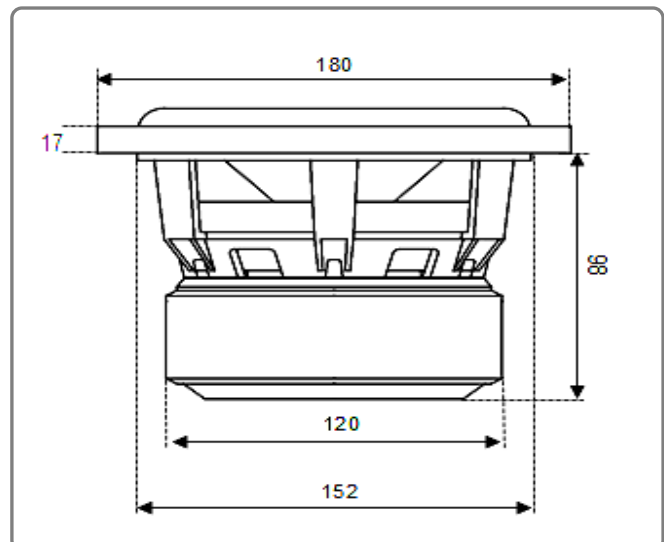
Diameter (outside / instal. / depth)	180 / 152 / 115	mm		
Recommended application	> 34 ⁽³⁾ - < 891	Hz ⁽⁴⁾		
SPL 2,83V/1m ⁽³⁾	85,4	dB		
recommended amplifier power	190 - 760	Watt		
Max. SPL ⁽¹⁾ frequency	25 Hz	40 Hz	63 Hz	
Closed	dB / Watt	89,5 / 251	98,5 / 450	113 / 1000
Vented	dB / Watt	93 / 331	107 / 420	117 / 690
Nominal impedance	4	Ω		



Parameters

DC resistance	Rdc	3,33	Ω
Resonance frequency ⁽⁵⁾	fs	54,9	Hz
Voice Coil diameter		50	mm
Voice coil winding height		22	mm
Pole plate strength		8	mm
Max. linear excursion ⁽⁶⁾	+ -	9,67	mm
Mechanical Q factor	Qms	5,59	
Electrical Q factor	Qes	0,70	
Total Q factor	Qts	0,62	
Moving mass	Mms	62,3	g
Effective piston area	Sd	143	cm ²
Mechanical resistance	Rms	3,85	Kg/s
Compliance	Cms	135	mm/N
Force factor	BL	10,1	Tm
Equivalent air volume	VAS	3,88	cm ³
Sound pressure ⁽²⁾	dB w/m	83,6 η ⁽³⁾	0,09 %

Dimensions (mm)



Recommended enclosure volumes inkl. Port & Chassis (b= netto)

Volume	Liter (cm ³)	closed box	vented box
		6 (b 5,48)	10,5 (b 9,13)
Port diameter	area cm ² / Ø cm / lenght cm	- / - / -	38,5 / 7 / 22
Tuning frequency (fB)	Hz	65	50

⁽¹⁾ Measured values reach 50% compression or 1000 watts

⁽²⁾ Ø within the recommended transmission range

⁽³⁾ Calculation based on TSP parameters

⁽⁴⁾ Upper limit -6 dB - 1/3 oktav, alt. 1/2 octave before resonance

⁽⁵⁾ In recorded state

⁽⁶⁾ Xmax= [(winding depth - mag. gap depth)/2] + (mag. gap depth/3)