



DEGO

Definition of Sound

Star 3000 MW 165

SPECIALLY COATED PAPER CONE DRIVER

Instruction manual for Midwoofer set

Article-No. 970 0050 00

Star Series

Designed, engineered & manufactured in Germany

CONGRATULATIONS!

You have just purchased the DEGO Midwoofer Star 3000 MW.

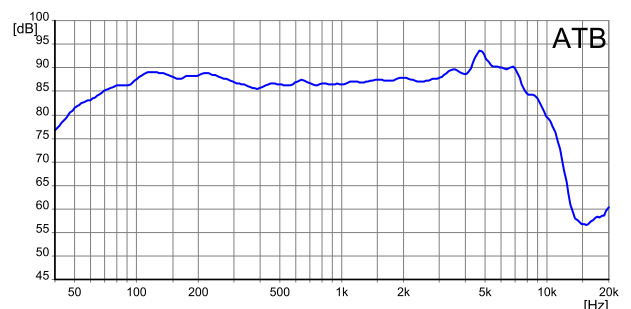
The well-balanced 165 mm woofer-midrange with pole-core drilling and shallow mounting depth has a specially coated paper cone. The DEGO Star Midwoofer one of the finest speakers in German engineering.



STAR 3000 MR SPECIFICATIONS

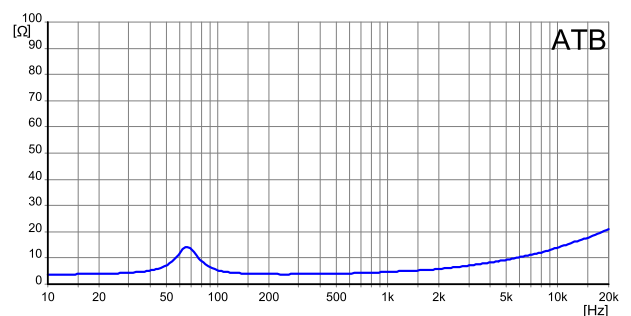
DC resistance	R_e	3.4	Ω
Nominal impedance	Z_N	4	Ω
Voice coil inductance	L_e	0.22	mH
Voice coil diameter		25	mm
Voice coil height		9.6	mm
Height of gap		5	mm
Linear excursion		± 2.3	mm
Max. mech. excursion		± 9	mm

Frequency response [1W/1m]



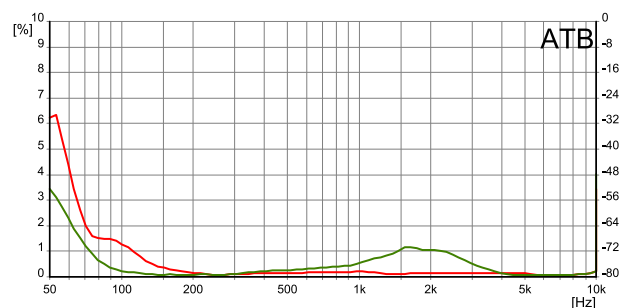
Resonance frequency	f_s	66	Hz
Mechanical Q factor	Q_{ms}	8.08	
Electical Q factor	Q_{es}	0.94	
Total Q factor	Q_{ts}	0.84	

Impedance



Moving mass	M_{ms}	11.6	g
Effective piston area	S_d	135	cm ²
Mechanical Resistance	R_{ms}	0.60	kg/s
Compliance	C_{ms}	0.49	mm/N
Force factor	Bl	4.32	Tm
Equivalent volume	V_{as}	12.65	dm ³
Efficiency	η	0.38	%
SPL 1W/1m		87.8	dB
SPL 2.83V/1m		91.3	dB

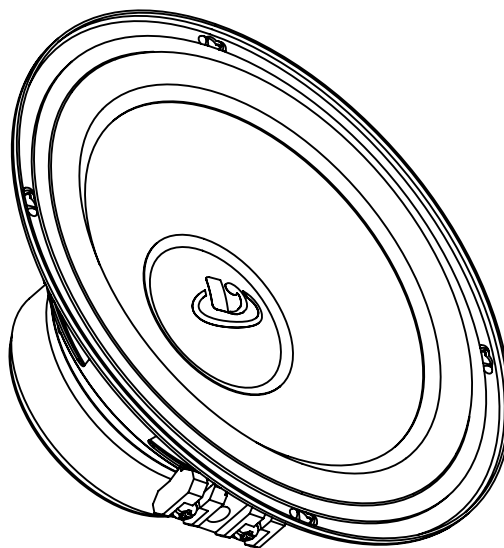
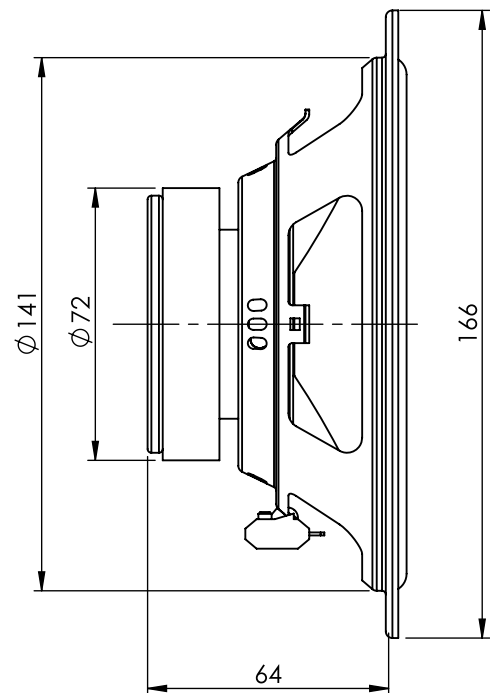
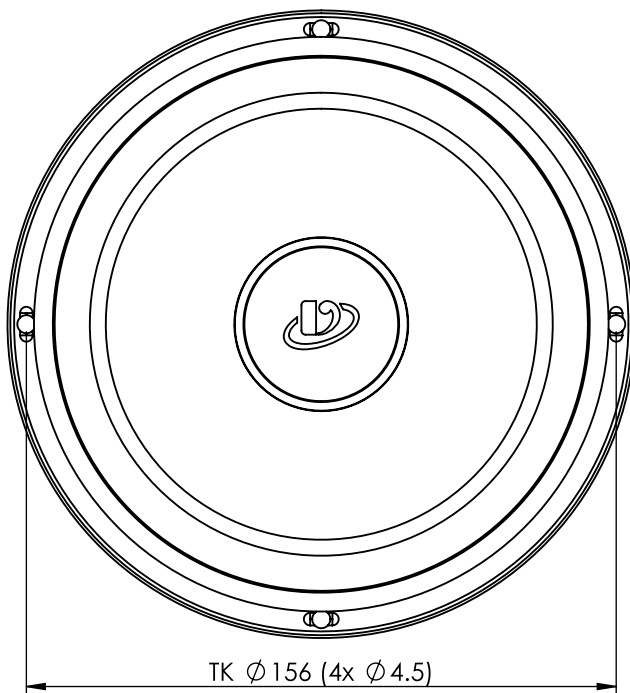
Harmonic Distortion [1W/1m]



Designed, engineered & manufactured in Germany

STAR 3000 MW SPECIFICATIONS

Woofer	165	mm	Mounting Depth	64	mm
Impedance	4	Ω	Outside Diameter	166	mm
Nominal Power	100	W	Mounting Diameter	141	mm
Peak Power	120	W			
Frequency Response	45 - 6k	Hz			
Sensitivity 1W/1m	90	db			







DEGO

Definition of Sound

STARLINE

ST 6.5 MW

Peak Power 110 W
Impedance 4 Ohms

MADE IN GERMANY