



DEGO

Definition of Sound

Space 3000 T 25

HIGH TECH ALUMINIUM DOME DRIVER

Instruction manual for Tweeter set

Article-No. 970 0062 00

Space Series

Designed, engineered & manufactured in Germany

CONGRATULATIONS!

You have just purchased the DEGO Tweeter Space 3000 T 25.

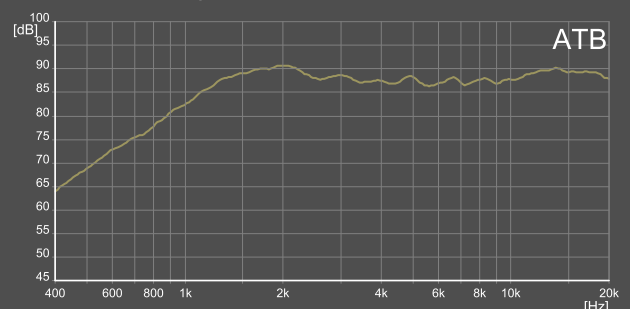
The 25 mm tweeter with shallow mounting depth and a detailed and dynamic sound image makes it one of the finest speakers in German engineering.



SPACE 3000 T SPECIFICATIONS

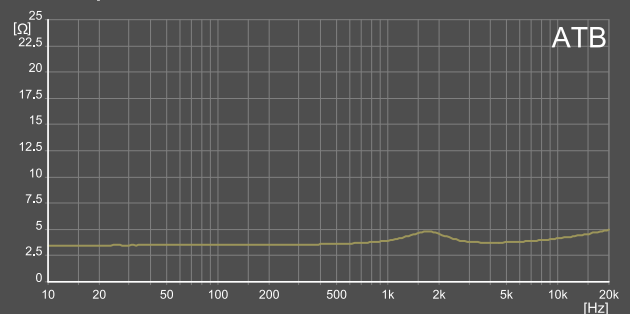
DC resistance	R_e	3.4	Ω
Nominal impedance	Z_N	4	Ω
Voice coil inductance	L_e	0.04	mH
Voice coil diameter		25	mm
Voice coil height		1.4	mm
Height of gap		2	mm
Linear excursion		± 1.25	mm

Frequency response [1W/1m]



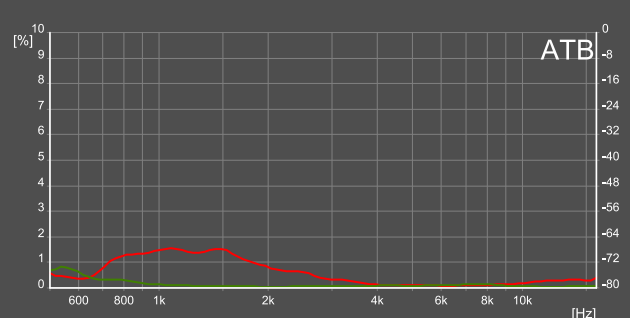
Resonance frequency	f_s	1434	Hz
Mechanical Q factor	Q_{ms}	2.15	
Electrical Q factor	Q_{es}	2.59	
Total Q factor	Q_{ts}	1.18	

Impedance



Moving mass	M_{ms}	0.29	g
Effective piston area	S_d	6.87	cm ²
Mechanical resistance	R_{ms}	1.20	Kg/s
Compliance	C_{ms}	0.043	mm/N
Force factor	Bl	1.85	Tm
Equivalent air volume	V_{as}	0.003	dm ³
Efficiency	η	0.31	%
SPL 1W/1m		87.5	dB
SPL 2.83V/1m		91.2	dB

Harmonic Distortion [1W/1m]

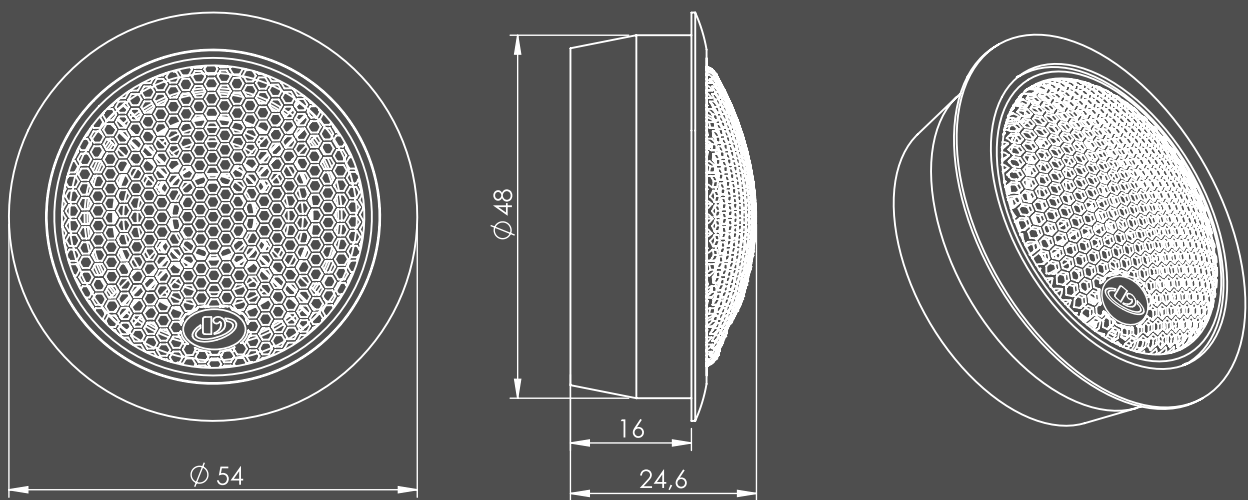


Designed, engineered & manufactured in Germany

SPACE 3000 T SPECIFICATIONS

Tweeter	25	mm	Mounting depth	16	mm
Impedance	4	Ω	Outside diameter	54	mm
Nominal Power *	80	W	Mounting diameter	48	mm
Peak Power	120	W			
Frequency Response	1.5 - 23	kHz			
Sensitivity 1W/1m	88	db			

* Filter: 2. order HP Butterworth 2.5 kHz



OPTIONAL TWEETER ACCESSORIES

MOUNTING SPRINGS & SCREWS FOR TWEETERS

ARTICLE-No. 970 0066 00

2x Springs

2x Pan head Phillips Screws M4x8 mm

2x Countersunk Phillips screws M4x30 mm

