



DEGO

Definition of Sound

Power 3000 T 25

SPECIALLY COATED FABRIC DOME DRIVER

Instruction manual for Tweeter set

Article-No. 970 0061 00

Power Series

Designed, engineered & manufactured in Germany

CONGRATULATIONS!

You have just purchased the DEGO Tweeter Power 3000 T 25.

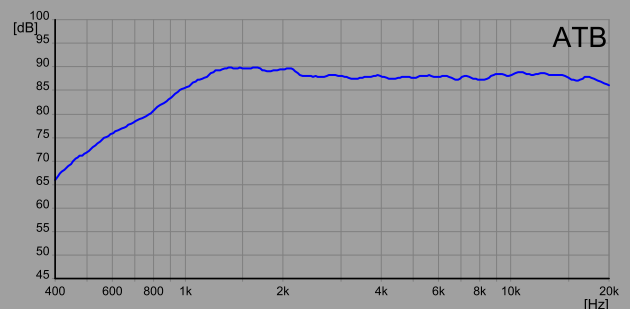
The 25 mm tweeter with shallow mounting depth and a balanced coloration makes the Power Tweeter one of the finest speakers in German engineering.



POWER 3000 T SPECIFICATIONS

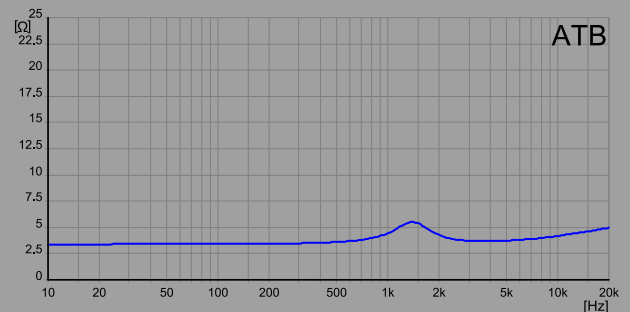
DC resistance	R_e	3.4	Ω
Nominal impedance	Z_N	4	Ω
Voice coil inductance	L_e	0.04	mH
Voice coil diameter		25	mm
Voice coil height		1.4	mm
Height of gap		2	mm
Linear excursion		± 0.3	mm

Frequency response [1W/1m]



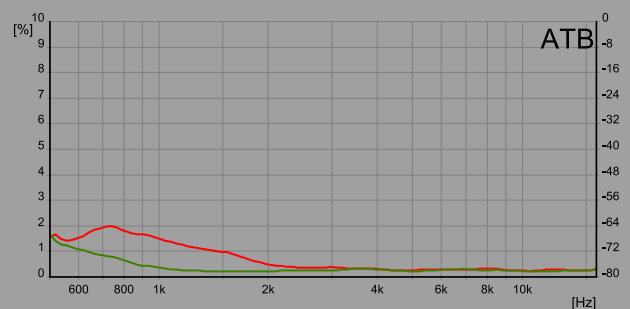
Resonance frequency	f_s	1252	Hz
Mechanical Q factor	Q_{ms}	2.24	
Electrical Q factor	Q_{es}	2.30	
Total Q factor	Q_{ts}	1.14	

Impedance



Moving mass	M_{ms}	0.24	g
Effective piston area	S_d	7.07	cm ²
Mechanical resistance	R_{ms}	0.83	Kg/s
Compliance	C_{ms}	0.069	mm/N
Force factor	BL	1.66	Tm
Equivalent air volume	V_{as}	0.005	dm ³
Efficiency	η	0.40	%
SPL 1W/1m		88.5	dB
SPL 2.83V/1m		92.2	dB

Harmonic Distortion [1W/1m]

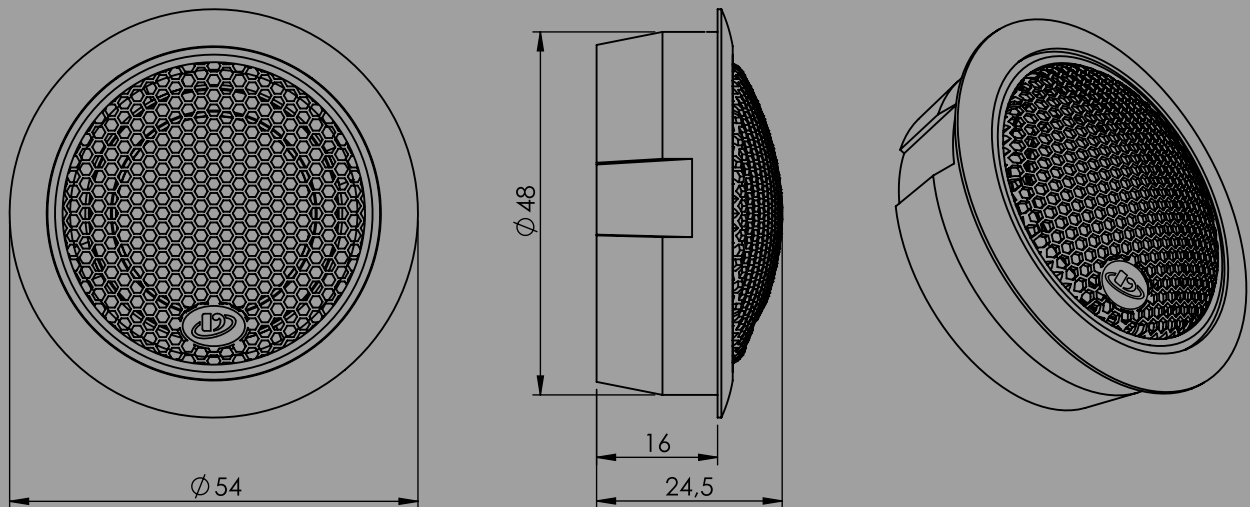


Designed, engineered & manufactured in Germany

POWER 3000 T SPECIFICATIONS

Tweeter	25	mm	Mounting depth	16	mm
Impedance	4	Ω	Outside diameter	54	mm
Nominal Power *	80	W	Mounting diameter	48	mm
Peak Power	120	W			
Frequency Response	1.5 - 23	kHz			
Sensitivity 1W/1m	88	db			

* Filter: 2. order HP Butterworth 2.5 kHz



OPTIONAL TWEETER ACCESSORIES

MOUNTING SPRINGS & SCREWS FOR TWEETERS

ARTICLE-No. 970 0066 00

2x Springs

2x Pan head Phillips Screws M4x8 mm

2x Countersunk Phillips screws M4x30 mm

