



DEGO

Definition of Sound

Power 3000 MW 165

SPECIALLY COATED PAPER CONE DRIVER

Instruction manual for Midwoofer set

Article-No. 970 0051 00

Power Series

Designed, engineered & manufactured in Germany

CONGRATULATIONS!

You have just purchased the DEGO Reference Midwoofer Power 3000 MW.

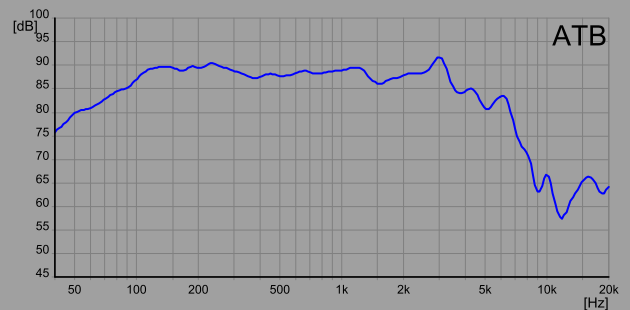
The 165 mm bass-midrange driver's coated paper cone provides a perfect complement to its powerful drive for big strokes and absolute level stability. The DEGO Power Midwoofer is one of the finest speakers in German engineering.



POWER 3000 MW SPECIFICATIONS

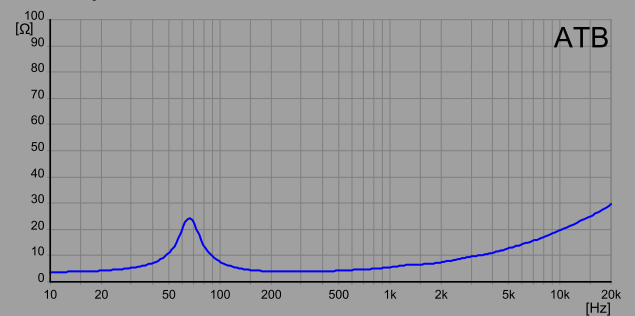
DC resistance	R_e	3.4	Ω
Nominal impedance	Z_N	4	Ω
Voice coil inductance	L_e	0.31	mH
Voice coil diameter		37	mm
Voice coil height		12	mm
Height of gap		6	mm
Linear excursion		± 3	mm
Max. mech. excursion		± 8.5	mm

Frequency response [1W/1m]



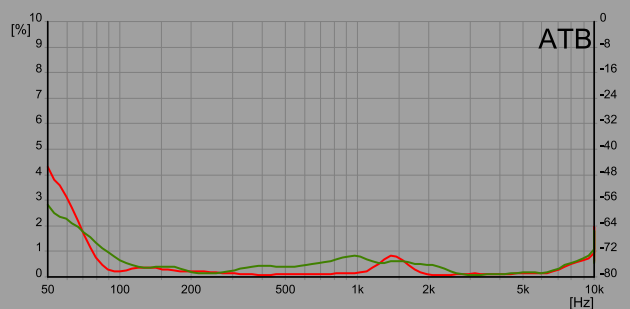
Resonance frequency	f_s	65	Hz
Mechanical Q factor	Q_{ms}	4.44	
Electrical Q factor	Q_{es}	0.61	
Total Q factor	Q_{ts}	0.54	

Impedance



Moving mass	M_{ms}	14.7	g
Effective piston area	S_d	135	cm ²
Mechanical Resistance	R_{ms}	1.36	kg/s
Compliance	C_{ms}	0.40	mm/N
Force factor	Bl	5.81	Tm
Equivalent volume	V_{as}	10.3	dm ³
Efficiency	η	0.46	%
SPL 1W/1m		88.6	dB
SPL 2.83V/1m		92.3	dB

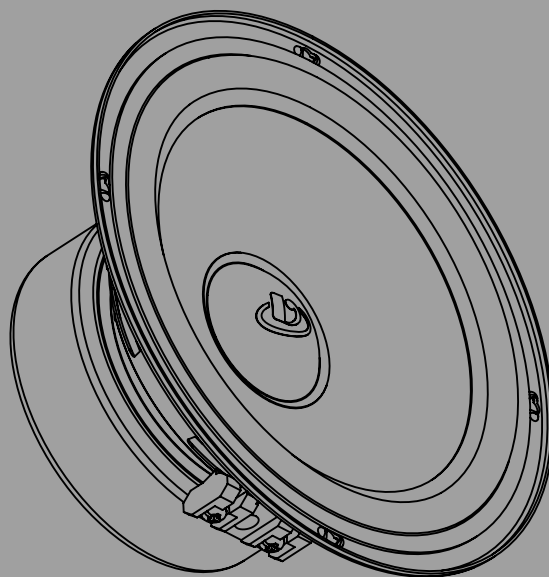
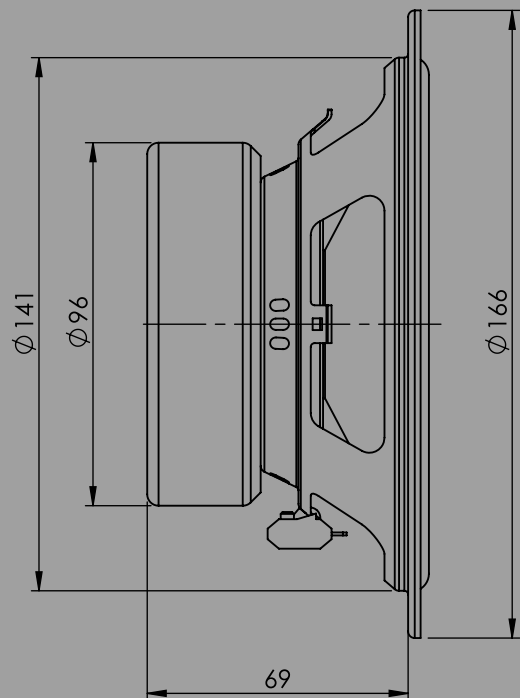
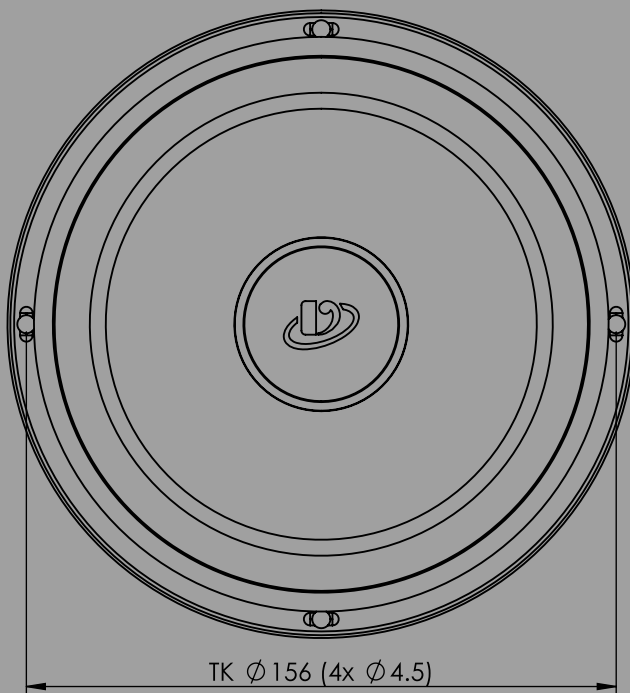
Harmonic Distortion [1W/1m]



Designed, engineered & manufactured in Germany

POWER 3000 MW SPECIFICATIONS

Woofer	165	mm	Mounting Depth	69	mm
Impedance	4	Ω	Outside Diameter	166	mm
Nominal Power	100	W	Mounting Diameter	141	mm
Peak Power	120	W			
Frequency Response	45 - 6k	Hz			
Sensitivity 1W/1m	90	db			







DEGO

Definition of Sound

POWERLINE



PO 6.5 MW

Peak Power 120 W
Impedance 4 Ohms

MADE IN GERMANY