



DEGO

Definition of Sound

Power 3000 MR 80 DP

SPECIALLY COATED PAPER CONE DRIVER

Instruction manual for Midrange set

Article-No. 970 0058 00

Power Series

Designed, engineered & manufactured in Germany

CONGRATULATIONS!

You have just purchased the DEGO reference midrange Power 3000 MR 80 DP.

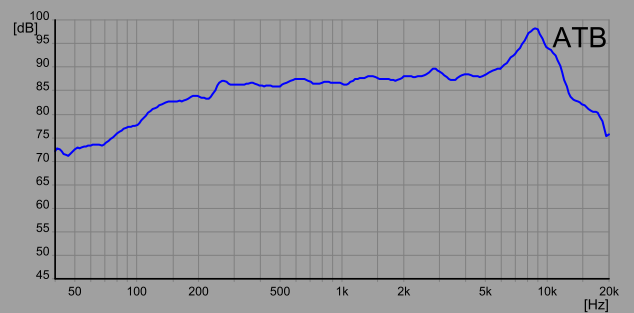
The 80 mm tweeter with paper dome, shallow mounting depth and a detailed and dynamic sound image makes the DEGO Power midrange DP one of the finest speakers in German engineering.



POWER 3000 MR 80 DP SPECIFICATIONS

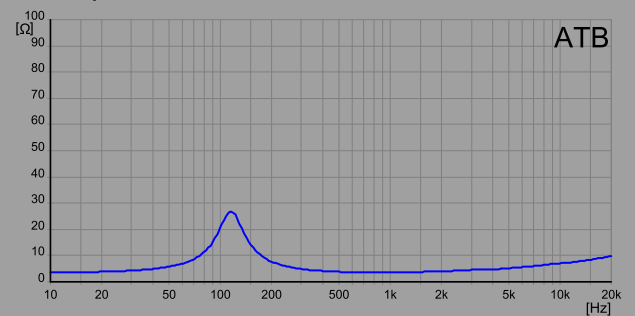
DC resistance	R_e	3.4	Ω
Nominal impedance	Z_N	4	Ω
Voice coil inductance	L_e	0.10	mH
Voice coil diameter		25	mm
Voice coil height		3	mm
Height of gap		4	mm
Linear excursion		± 0.5	mm
Max. mech. excursion		± 6.5	mm

Frequency response [1W/1m]



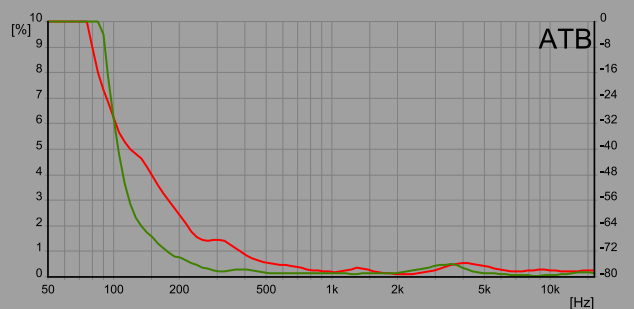
Resonance frequency	f_s	115	Hz
Mechanical Q factor	Q_{ms}	3.27	
Electrical Q factor	Q_{es}	0.45	
Total Q factor	Q_{ts}	0.40	

Impedance



Moving mass	M_{ms}	3.40	g
Effective piston area	S_d	35	cm ²
Mechanical resistance	R_{ms}	0.75	Kg/s
Compliance	C_{ms}	0.56	mm/N
Force factor	BL	4.29	Tm
Equivalent air volume	V_{as}	0.97	dm ³
Efficiency	η	0.31	%
SPL 1W/1m		87.0	dB
SPL 2.83V/1m		90.7	dB

Harmonic Distortion [1W/1m]

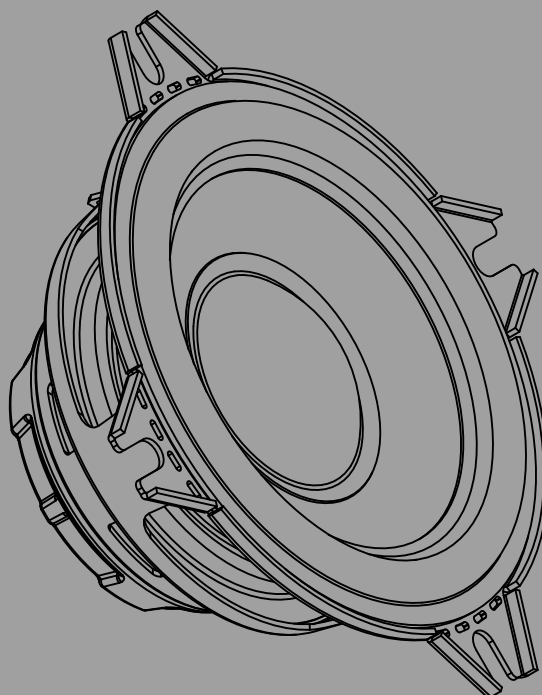
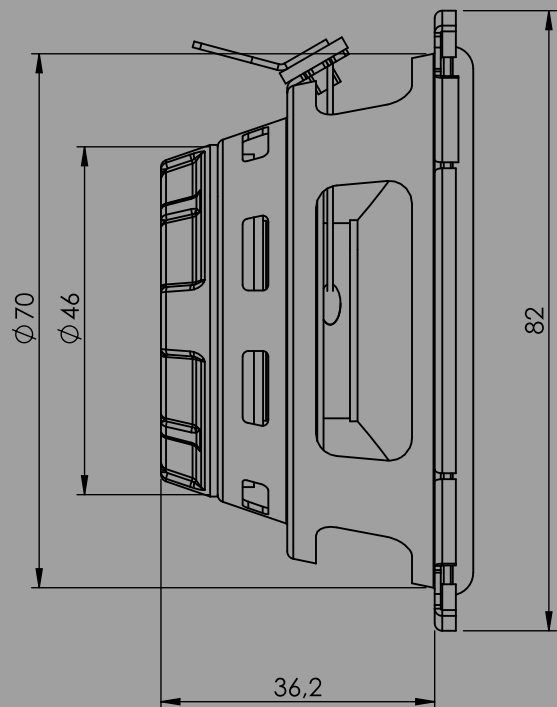
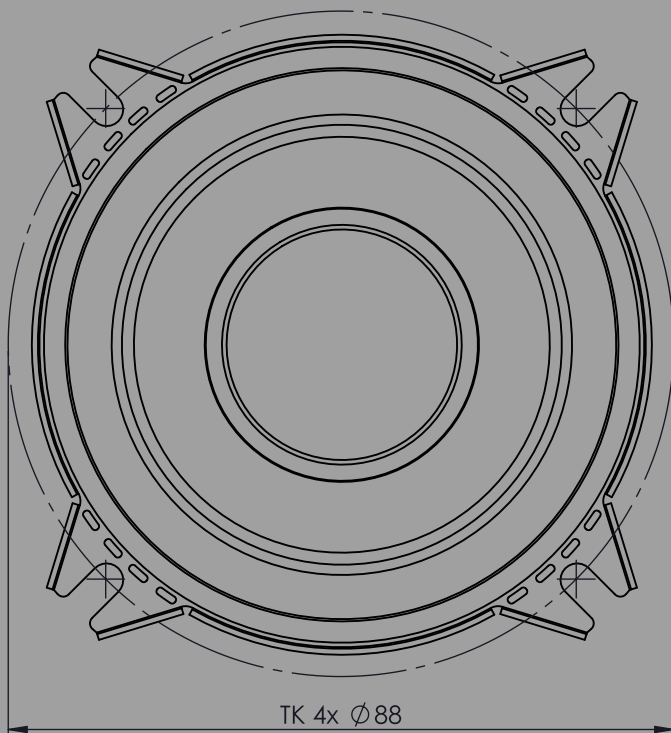


Designed, engineered & manufactured in Germany

POWER 3000 MW 80 DP SPECIFICATIONS

Midrange	80	mm
Impedance	4	Ω
Nominal Power	40	W
Peak Power	65	W
Frequency Response	200 - 15K	Hz
Sensitivity 1W/1m	90	db

Mounting depth	36.2	mm
Outside diameter	82	mm
Mounting diameter	70	mm



Designed, engineered & manufactured in Germany







Definition of Sound

4 Ohms

PO 3.0 MR
Made in Germany

- +