



DEGO

Definition of Sound

Power 3000 MR 80

SPECIALLY COATED PAPER CONE DRIVER

Instruction manual for Midrange set

Article-No. 970 0056 00

Power Series

Designed, engineered & manufactured in Germany

CONGRATULATIONS!

You have just purchased the DEGO reference midrange Power 3000 MR 80.

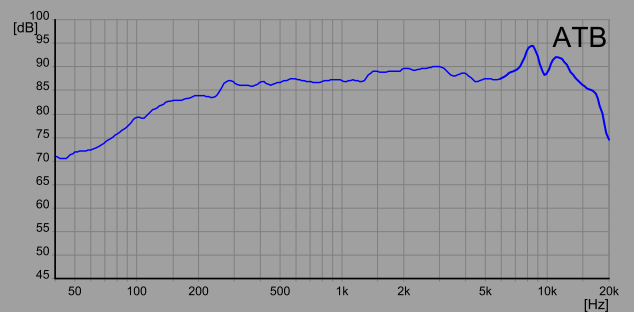
The 80 mm tweeter with aluminum dome, shallow mounting depth and a detailed and dynamic sound image makes the DEGO Power midrange one of the finest speakers in German engineering.



POWER 3000 MR SPECIFICATIONS

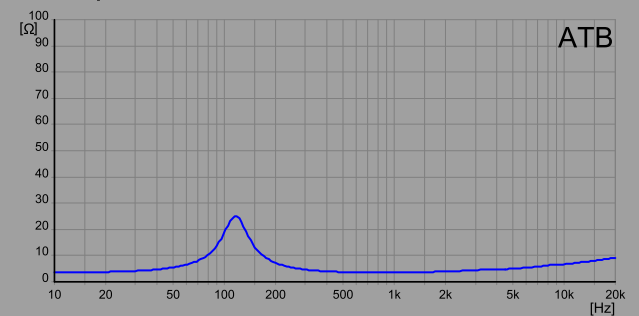
DC resistance	R_e	3.4	Ω
Nominal impedance	Z_N	4	Ω
Voice coil inductance	L_e	0.09	mH
Voice coil diameter		25	mm
Voice coil height		3	mm
Height of gap		4	mm
Linear excursion		± 0.5	mm
Max. mech. excursion		± 6.5	mm

Frequency response [1W/1m]



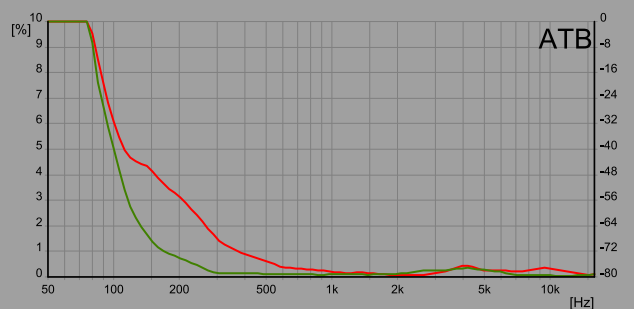
Resonance frequency	f_s	116	Hz
Mechanical Q factor	Q_{ms}	3.34	
Electrical Q factor	Q_{es}	0.51	
Total Q factor	Q_{ts}	0.44	

Impedance



Moving mass	M_{ms}	3.30	g
Effective piston area	S_d	35	cm ²
Mechanical resistance	R_{ms}	0.72	Kg/s
Compliance	C_{ms}	0.57	mm/N
Force factor	BL	4	Tm
Equivalent air volume	V_{as}	0.99	dm ³
Efficiency	η	0.29	%
SPL 1W/1m		86.6	dB
SPL 2.83V/1m		90.3	dB

Harmonic Distortion [1W/1m]

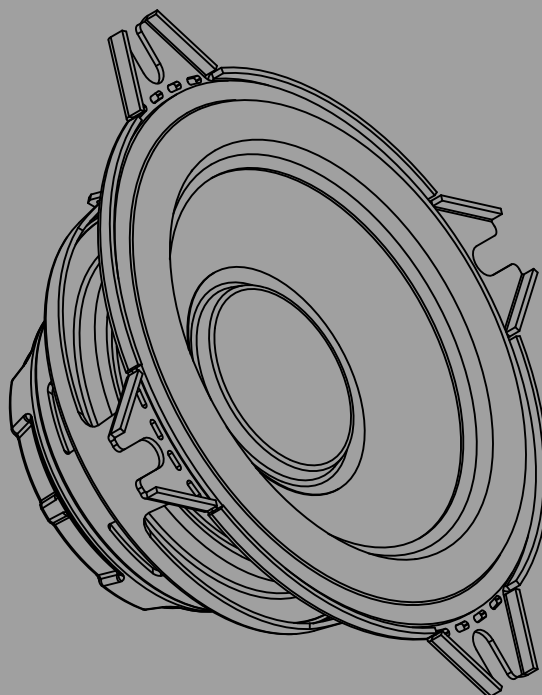
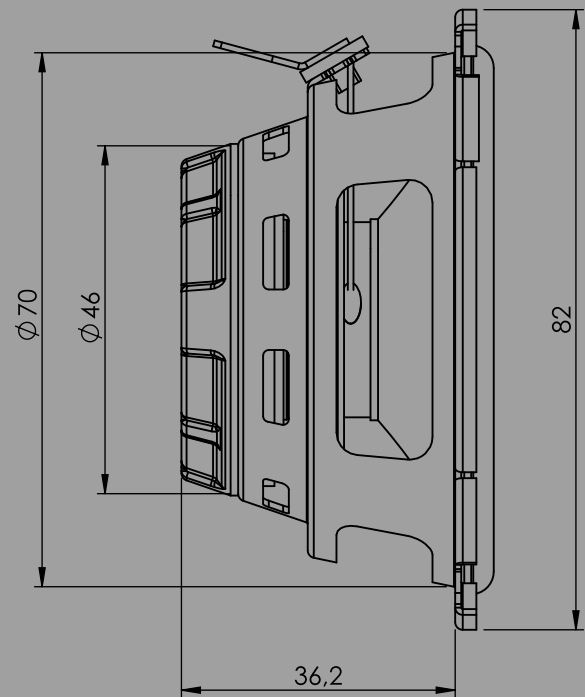
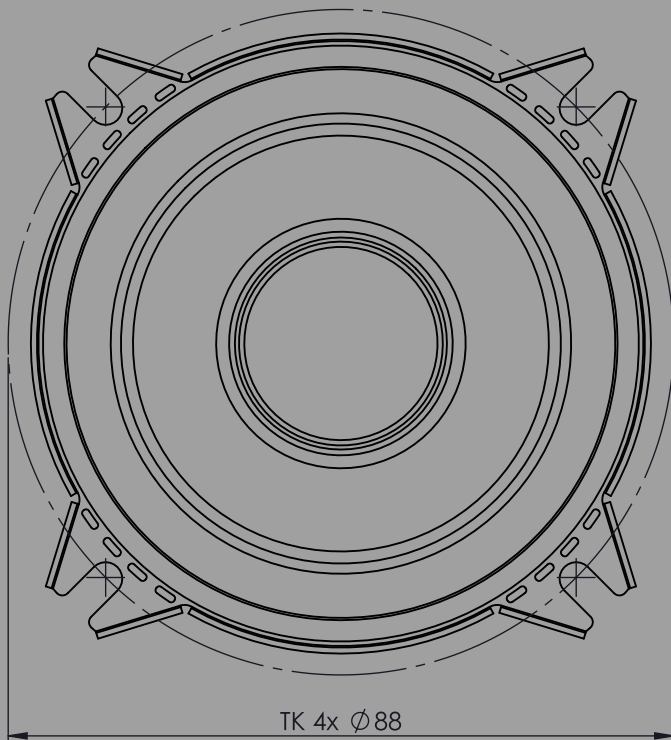


Designed, engineered & manufactured in Germany

POWER 3000 MW 80 SPECIFICATIONS

Midrange	80	mm
Impedance	4	Ω
Nominal Power	40	W
Peak Power	65	W
Frequency Response	200 - 15K	Hz
Sensitivity 1W/1m	90	db

Mounting depth	36.2	mm
Outside diameter	82	mm
Mounting diameter	70	mm









Definition of Sound

4 Ohms

PO 3.0 MR
Made in Germany

- +